

## 256K (32K x 8) UV EPROM and OTP EPROM

### DATA BRIEFING

- FAST ACCESS TIME: 45ns
- LOW POWER "CMOS" CONSUMPTION:
  - Active Current 30mA
  - Standby Current 100µA
- PROGRAMMING VOLTAGE: 12.75V
- ELECTRONIC SIGNATURE for AUTOMATED PROGRAMMING
- PROGRAMMING TIMES of AROUND 3sec. (PRESTO II ALGORITHM)

### DESCRIPTION

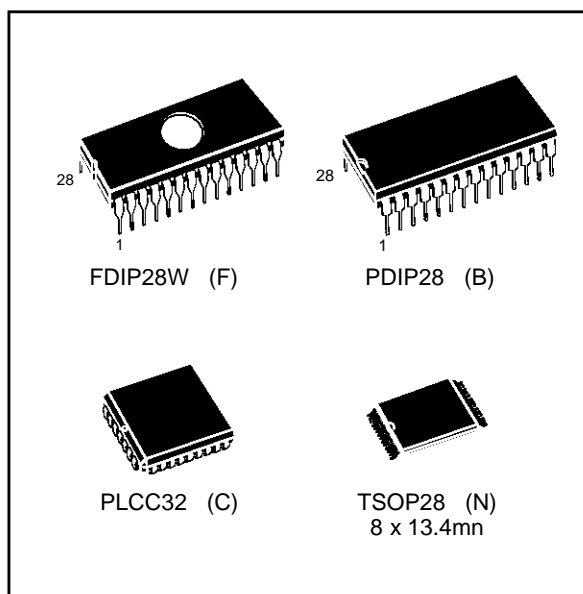
The M27C256B is a high speed 262,144 bit UV erasable and electrically programmable EPROM ideally suited for microprocessor systems. It is organized as 32,768 by 8 bits.

The Window Ceramic Frit-Seal Dual-in-Line package has a transparent lid which allows the user to expose the chip to ultraviolet light to erase the bit pattern. A new pattern can then be written to the device by following the programming procedure.

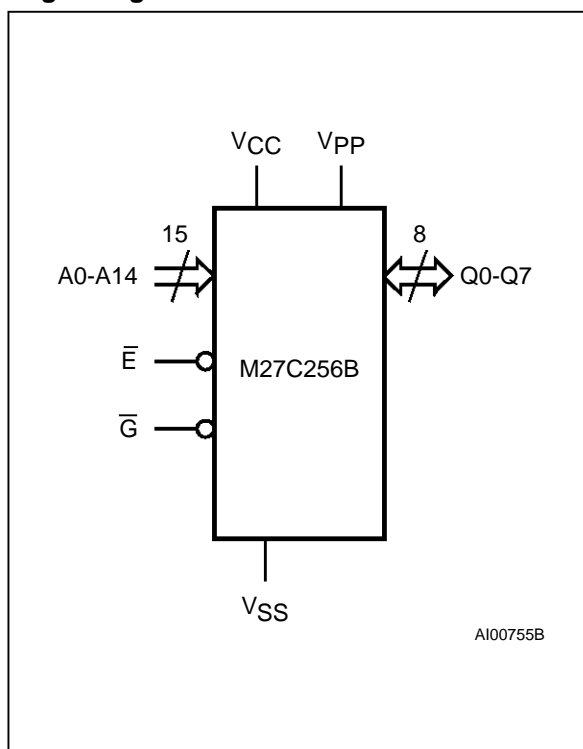
For applications where the content is programmed only one time and erasure is not required, the M27C256B is offered in Plastic Dual-in-Line, Plastic Leaded Chip Carrier, and Plastic Thin Small Outline packages.

### Signal Names

A0 - A14	Address Inputs
Q0 - Q7	Data Outputs
$\bar{E}$	Chip Enable
$\bar{G}$	Output Enable
V <sub>PP</sub>	Program Supply
V <sub>CC</sub>	Supply Voltage
V <sub>SS</sub>	Ground

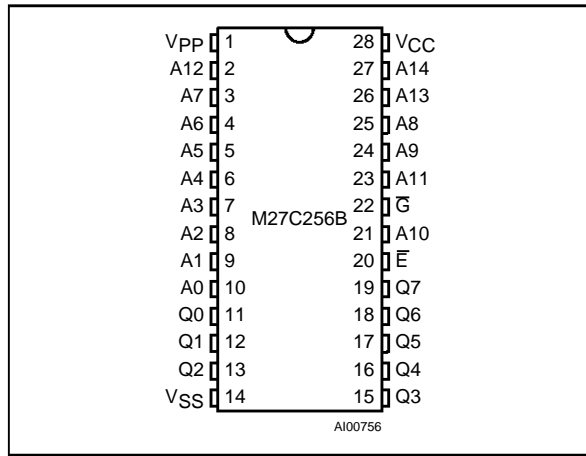


### Logic Diagram

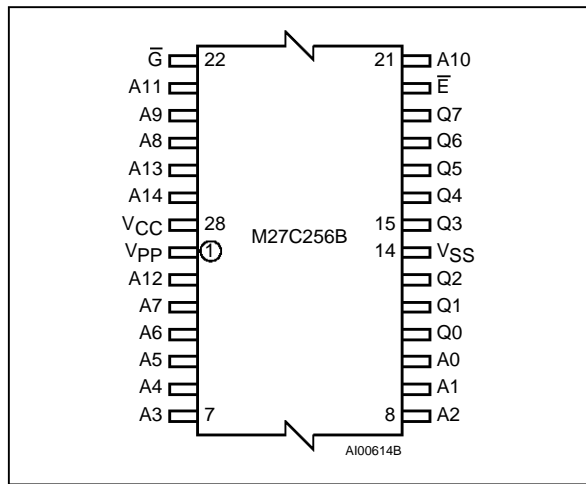


# M27C256B

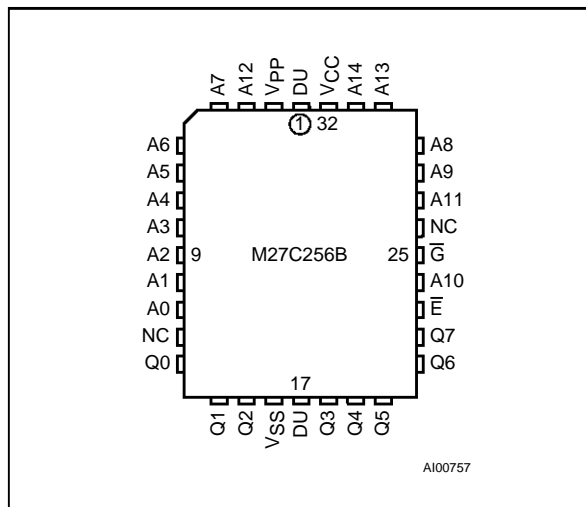
## DIP Pin Connections



## TSOP Pin Connections



## LCC Pin Connections



**Warning:** NC = Not Connected, DU = Don't Use.

## Ordering Information Scheme

For a list of available options refer to the current Memory Shortform catalogue.

For further information on any aspect of this device, please contact the SGS-THOMSON Sales Office nearest to you.

Example: M27C256B -70 X C 1 X

<b>Speed</b>	-70	X	C	1	X
-45	45ns				
-60	60ns				
-70	70ns				
-80	80ns				
-90	90ns				
-10	100ns				
-12	120ns				
-15	150ns				
-20	200ns				
-25	250ns				
<b>V<sub>CC</sub> Tolerance</b>	X	± 5V			
blank	± 10V				
<b>Package</b>	F	FDIP28W			
	B	PDIP28			
	C	PLCC32			
	N	TSOP28 8 x 13.4mm			
<b>Temp. Range</b>	1	0 to 70 °C			
	3	-40 to 125 °C			
	6	-40 to 85 °C			
	7	-40 to 105 °C			
<b>Option</b>	X	Additional Burn-in			
	TR	Tape & Reel Packing			